

WIRE
HARNESS
TESTING

NEW
INNOVATIVE
PRODUCTS



FEINMETALL
Contact Technologies





F710

NEW

Threaded Probe 40 mil

Centers (mm/mil)	1.02 / 40
Current	3.0 A
R typ	50 mOhm
Temperature	-45°C...+200°C

Mechanical Specifications

Preload (cN±20%)	35
Nominal force (cN±20%)	80
Nominal travel (mm)	4,0
Maximum travel (mm)	5,0
Thread [M]	0.7 x 0,175
Wrench size (mm)	0.75

Materials and Plating

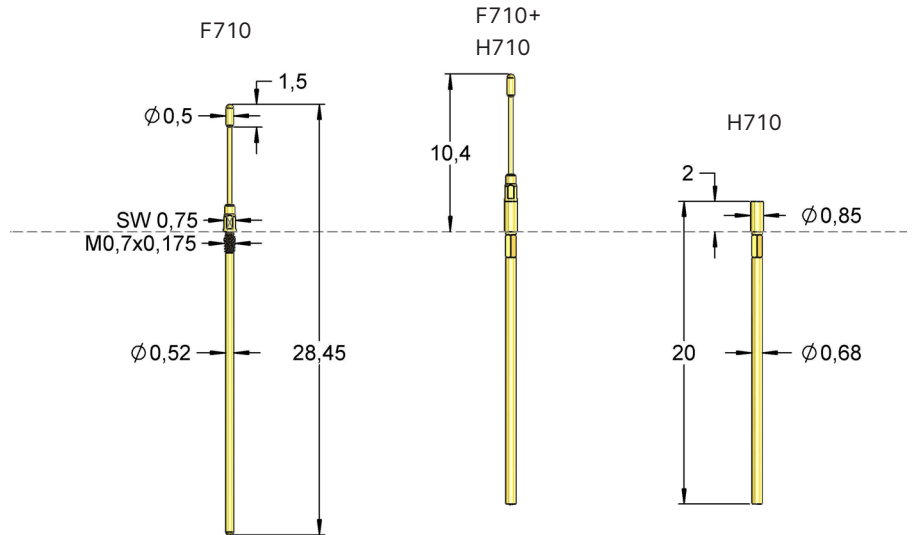
Plunger	BeCu, gold plated
Barrel	Brass, gold plated
Spring	Stainless steel, gold plated
Receptacle	Brass, gold plated

Accessories

Insertion tool receptacle	FEWZ-040E0
Screw-in tool probe max. Tip-Ø 0,9 mm	FWZ710 (T)

Drill hole recommendation (mm)

H710	0.71 - 0.73
------	-------------




M 1:1



Smallest threaded probe!

The F710 is well suited for contacting very small plugs with a pitch of up to 40mil.

Order code	Description	Tip Style	Material	Ø in mm	Plating	Spring Force	Tool
1120456	F71012B050G080	12 	B	0,50	G	80	FWZ710 (T)



F898

NEWPneumatic Micro-Switch
Probe Off-On-Off

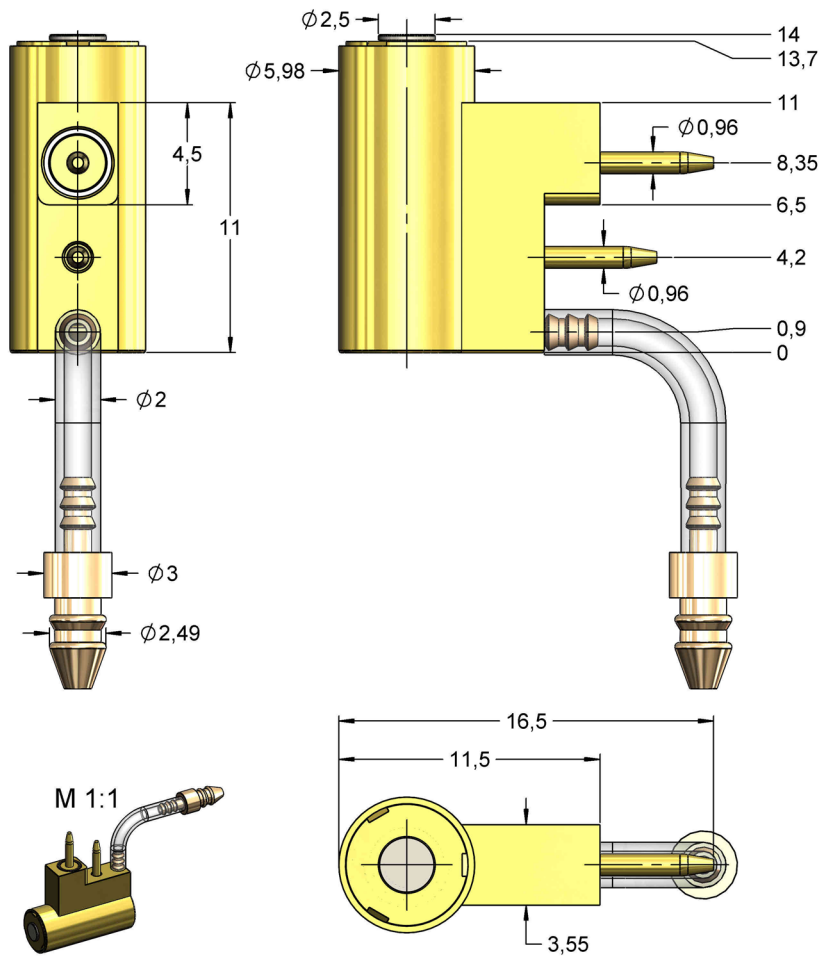
Centers (mm/mil)	6.50 / 256
Current	3.0 A
Current (Switch)	1.0 A
R typ	500 mOhm
Temperature	-45°C...+100°C

Mechanical Specifications

Operating pressure	5-7 bar (Change of 130cN/bar)
Operating medium	Compressed air (dried, filtered)
Allowed leakage rate	5 cm ³ /min.
Contact force at 6bar and nominal travel	450cN ±20%
Switch point 1 (mm)	3.5 ±0,3
Nominal travel (mm)	3.7
Switch point 2 (mm)	4.5 ±0,3
Max. travel (mm)	4.8

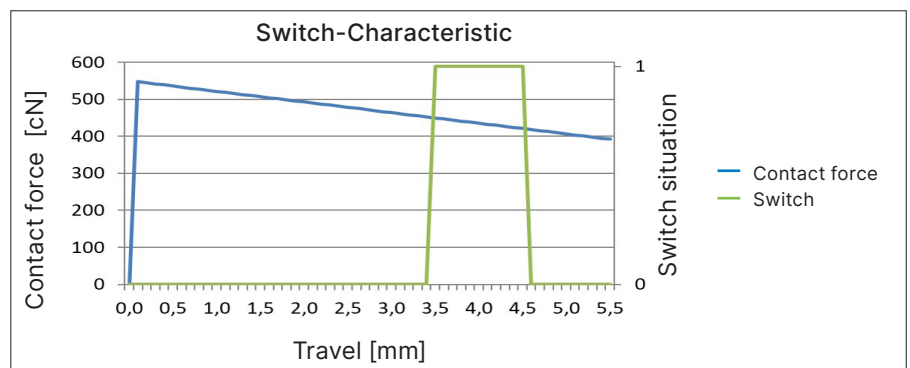
Materials and Plating

Plunger tip	Syntetic, unplated
Barrel	Brass, gold plated
Spring	Spring steel, silver plated

**Application and Mounting**

Special solution for a pneumatic presence test at limited space. An integrated switch function allows to detect the exact position of the test item.

For an adjustable position of the F898 in axial direction a lateral setscrew (M2, max. torque 8 cNm) can be used. For a fix and secure position the F898 can be mounted by an axial setscrew (M8).



Order code	Description	Tip Style	Material	Ø in mm	Plating	Total Length (inactive)	Projection Height (inactive)
1126866	F89817K250U450	17	K	2,50	U	14,00	0,30



F88990S0001U120S06 (NO) NEW

Switch Probe for lateral Contacting



Centers (mm/mil)	7.00 / 275
Current	5.0 A
Current (Switch)	1.0 A
R typ	25 mOhm
Temperature	-45°C...+100°C

Mechanical Specifications

Preload (cN±20%)	100
Nominal force (cN±20%)	120
Nominal travel (mm)	1.0
Maximum travel (mm)	1.3
Switch travel (mm)	0.6

Materials and Plating

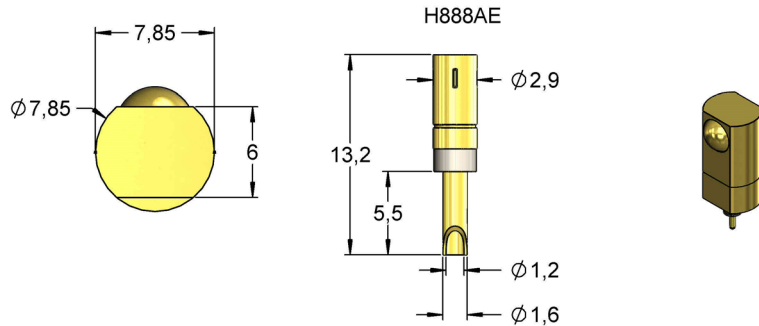
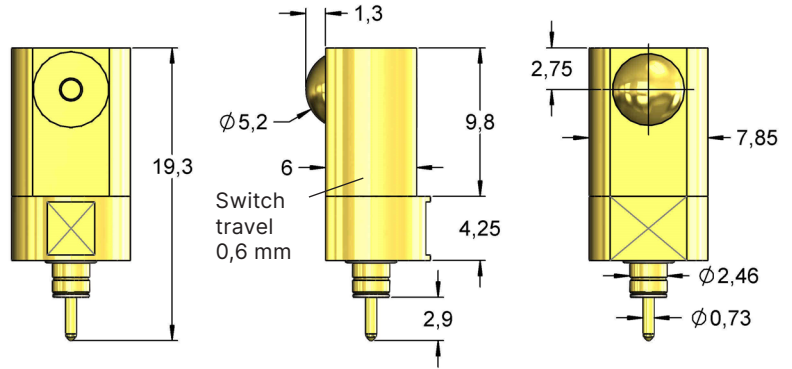
Plunger-element	BeCu, gold plated
Barrel	Brass, gold plated
Spring	Stainless steel, unplated

Accessories

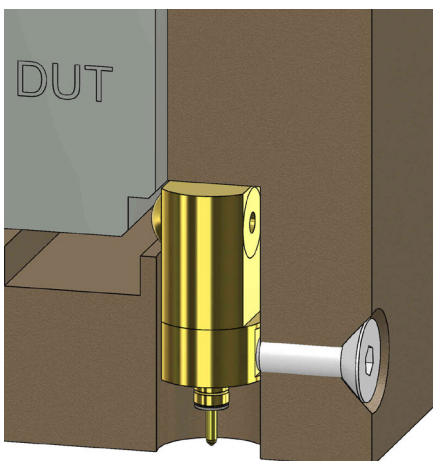
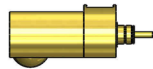
Connection element	H888AE
--------------------	--------

Drill hole recommendation (mm)

F88890S0003U100Sxx	7.85 - 7.88
--------------------	-------------



M 1:2



In contrast to the F888 (axial contacting), the new development of the F889 has a round contact element on the side. This design allows a space-saving assembly of test modules and easy interrogation of connector profiles. The mounting of the F889 can be fixed by a screw (M2/M3) after the final position and alignment is done.

Order code	Description	Tip Style	Material	Ø in mm	Plating	Total Length	Version	
1128146	F88990S0001U120S06	90		B	5,2	G	19,3	S06



HV01

NEU

High voltage probe up to 5kV (DC) for Ø8mm round pins



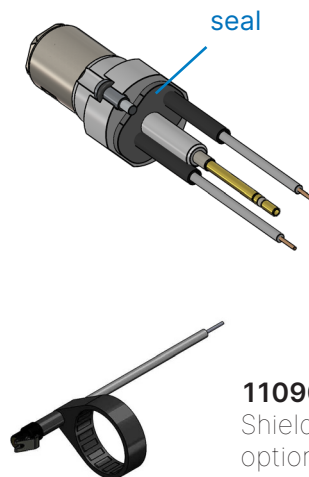
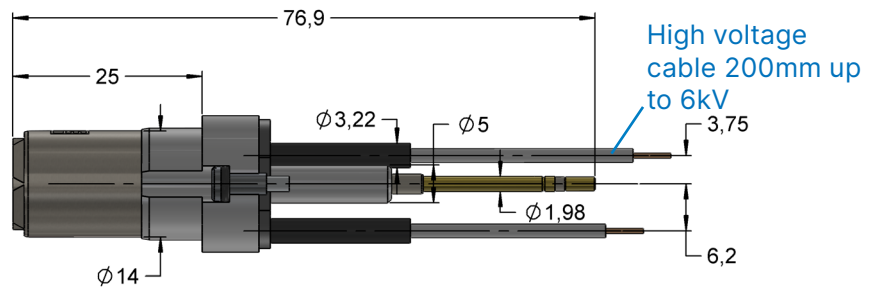
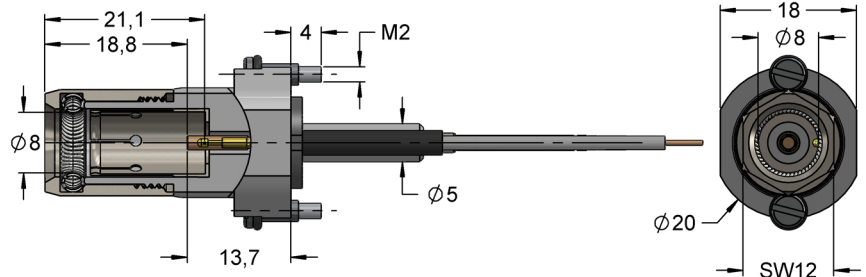
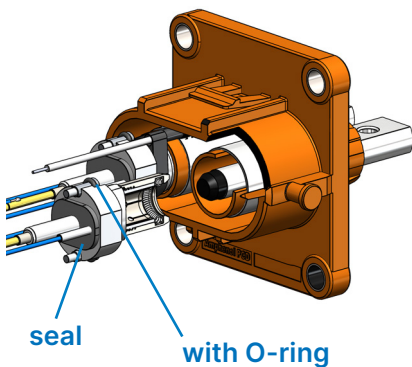
Centers (mm/mil)	17,0 / 670
Voltage	up to 5 kV (DC)
Temperature	-45°C...+80°C

Force	
Version	Nominal
Insertion force	600cN +30%
Pulling force	400cN +30%

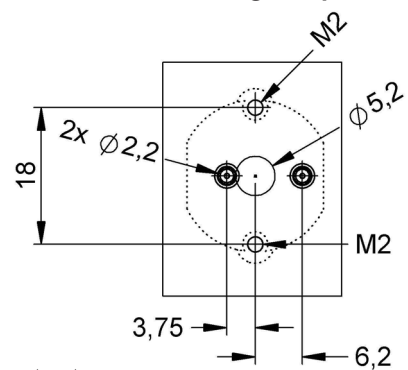
Mechanical specification		
Insertion depth	Nom.	Max.
Standard [mm]	20,5	21,1
Thread (M)	M2	
Wrench Size Contact head	SW12	
Switch travel [mm]	1,7 ±0,2	
Wobble range	± 1°	
Centering range [mm]	± 0,5	

Materials and Plating	
Contact head	Brass, nickel plated
Calyx spring	BeCu, nickel plated
Garter spring	BeCu, silver plated
Flange	Syntetic, unplated

Included in delivery	
High voltage probe	
O-ring (Seal)	
Mounting screw M2 (2 pcs)	



Drilling template



1109065

Shielding contact optional

Application

FEINMETALL high-voltage contacts were developed for contacting e-mobility plugs and sockets in the automotive sector. The connectors are used for contacting pin, socket & shield contacts under high voltage up to 5000V DC. The measured specifications refer to the new condition of probes under laboratory conditions with high voltage ramp 0.2s over 10s.

Technical design and application

- contacting of sockets-/ plug contacts
- parallel contact for Kelvin measurement
- parallel monitoring of the isolated finger protection function under high-voltage conditions
- airtight versions available

Important safety note:

If the product is operated with voltages greater than 60V, the country-specific standards, norms and applicable laws and regulations for the protection of people and machine must be observed. This responsibility is taken over by the operator and manufacturer of equipment using these contact probes.

Order Code	Description	Tip Style	Number	Material	Ø in mm	Plating	Version
1108990	HV01G52B080N205-M		52	B	14,00	N	G



HV02

NEU

High voltage probe up to 5kV (DC) for Ø6mm round pins



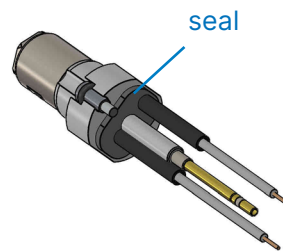
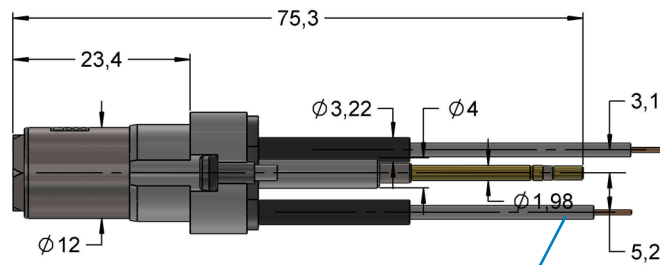
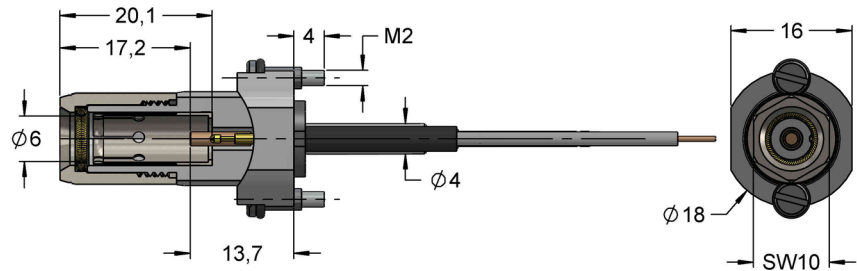
Centers (mm/mil)	17,0 / 670
Voltage	up to 5 kV (DC)
Temperature	-45°C...+80°C

Force	
Version	Nominal
Insertion force	500cN +30%
Pulling force	300cN +30%

Mechanical specification		
Insertion depth	Nom.	Max.
Standard [mm]	19,0	19,6
Thread (M)	M2	
Wrench Size Contact head	SW10	
Switch travel [mm]	1,5 ±0,2	
Wobble range	± 1°	
Centering range [mm]	± 0,5	

Materials and Plating	
Contact head	Brass, nickel plated
Calyx spring	BeCu, nickel plated
Garter spring	BeCu, gold plated
Flange	Syntetic, unplated

Included in delivery	
High voltage probe	
O-ring (Seal)	
Mounting screw M2 (2 pcs)	



Application

FEINMETALL high-voltage contacts were developed for contacting e-mobility plugs and sockets in the automotive sector. The connectors are used for contacting pin, socket & shield contacts under high voltage up to 5000V DC. The measured specifications refer to the new condition of probes under laboratory conditions with high voltage ramp 0.2s over 10s.

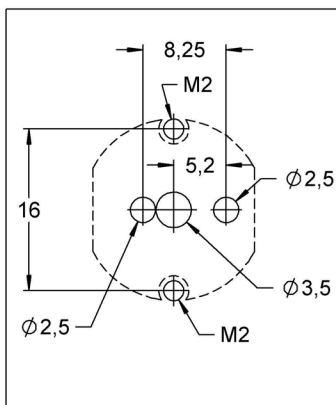
Technical design and application

- contacting of sockets-/ plug contacts
- parallel contact for Kelvin measurement
- parallel monitoring of the isolated finger protection function under high-voltage conditions
- airtight versions available

Important safety note:

If the product is operated with voltages greater than 60V, the country-specific standards, norms and applicable laws and regulations for the protection of people and machine must be observed. This responsibility is taken over by the operator and manufacturer of equipment using these contact probes.

Drilling template



Order Code	Description	Tip Style	Number	Material	Ø in mm	Plating	Version
1119426	HV02G52B060N190-M		52	B	12,00	N	G



FEINMETALL

Contact Technologies



CONTACT

E-MOBILITY & BATTERY CONTACTING
battery@feinmetall.com

ELECTRONIC TESTING
electronic@feinmetall.com

FINE PITCH TESTING
finepitch@feinmetall.com

INTERFACE SOLUTIONS
interface@feinmetall.com

SEMICONDUCTOR TESTING PRODUCTS
semiconductor@feinmetall.com

WIRE HARNESS TESTING
wireharness@feinmetall.com

PASSION
FOR FINEST
TECHNOLOGY.

> FEINMETALL.COM

1131789 - NEW - WIRE HARNESS