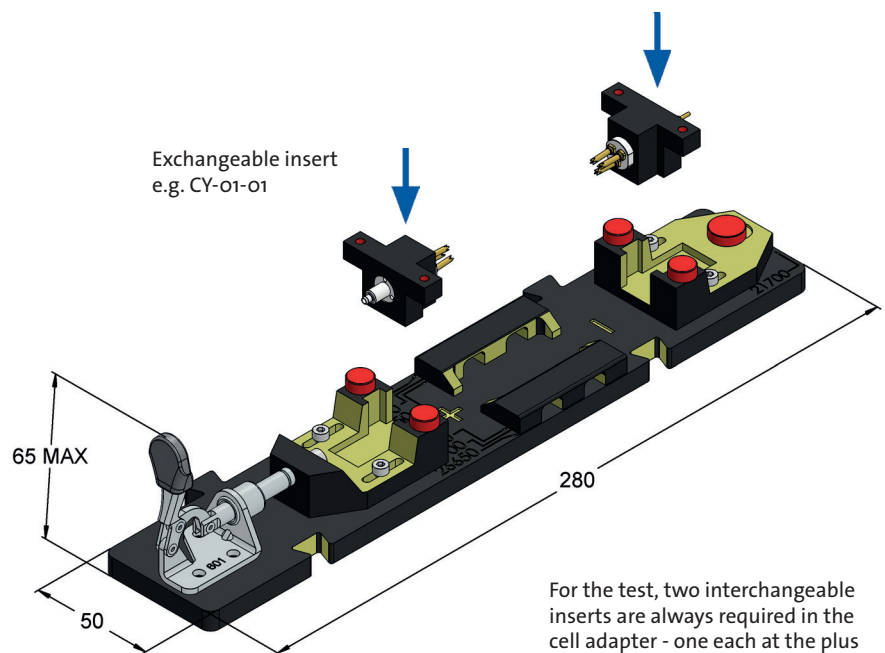


NEW FXB-CY-01 with various interchangeable inserts

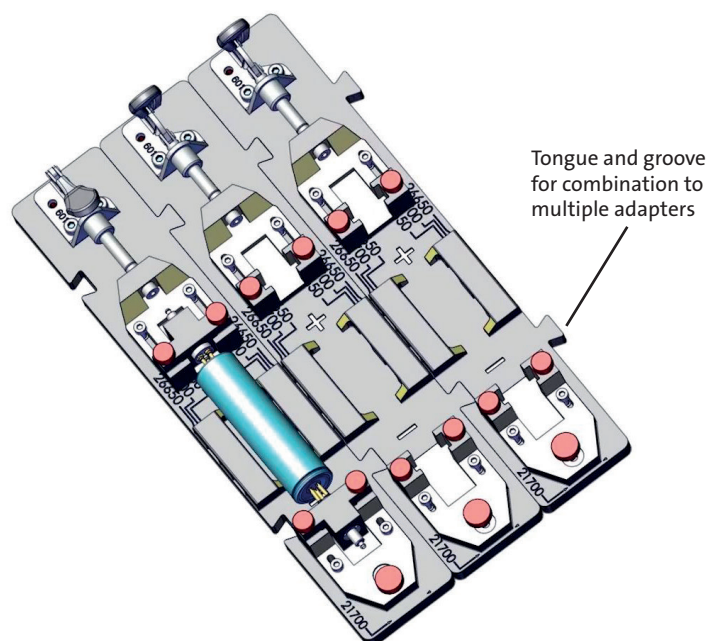
Expandable cell fixture for contacting round cells of the type 18650, 21700 and 26650

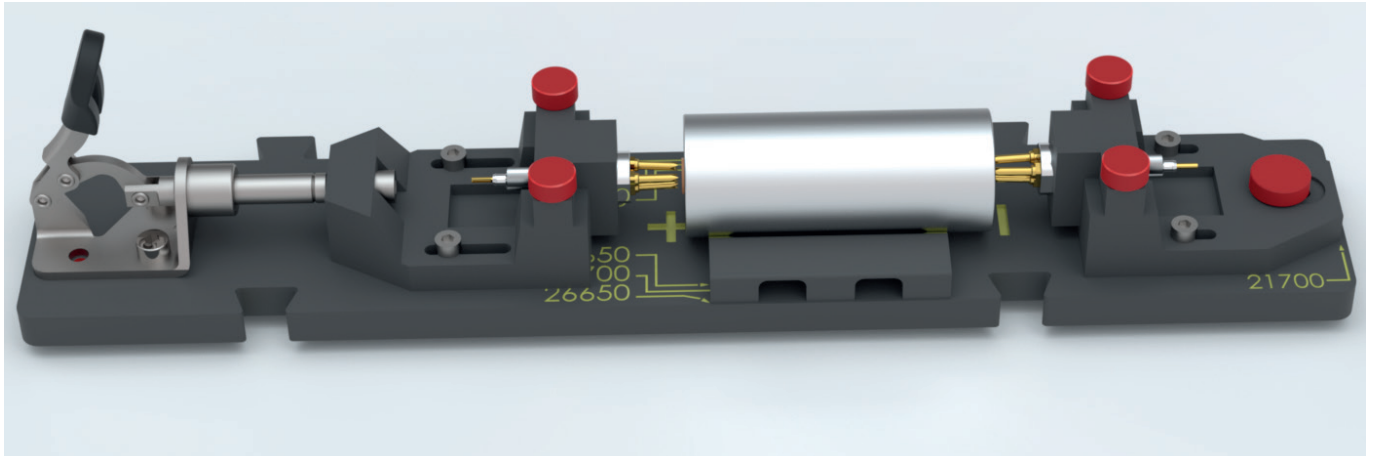
Hand adapter for cylindrical battery cells type 18650, 21700 and 26650 with the following properties:

- Modular design ==> One basic adapter can be combined with different contact probe carriers
- Exchangeable inserts (contact probe carrier)
- Variable adjustment of the cell diameter and cell length
- Contacting feed via hand lever
- Temperature resistance up to at least 70°C
- Dimensions: 280x50x65mm
- Several single adapters can be combined to a multiple adapter by means of tongue and groove.



For the test, two interchangeable inserts are always required in the cell adapter - one each at the plus and minus pole.





Type

FXB

-

CY

-

Sequential number fixture

01

-

05

Cell type

Sequential number insert

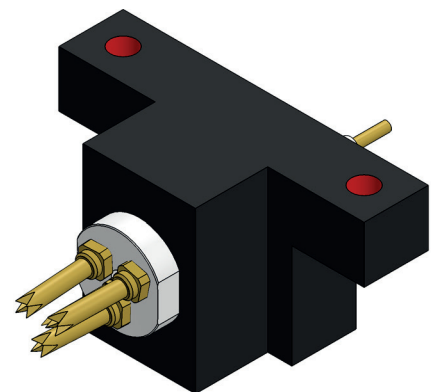
FXB - Cell fixture

CY - Cylindrical cells

PR - Prismatic cells

PO - Pouch cells

Order Code	Version
FXB-CY-01	1-channel expandable cell fixture
CY-01-01	Exchangeable insert FXB-CY-01_HC02_100A
CY-01-02	Exchangeable insert FXB-CY-01_HC02_100A_Sense
CY-01-03	Exchangeable insert FXB-CY-01_HC06_50A
CY-01-04	Exchangeable insert FXB-CY-01_HC06_50A_Sense
CY-01-05	Exchangeable insert FXB-CY-01_HC06_50A_Sense_TS04
CY-01-06	Exchangeable insert FXB-CY-01_HC13B06150G_60A
CY-01-07	Exchangeable insert FXB-CY-01_F732C (1x)_20A
CY-01-08	Exchangeable insert FXB-CY-01_F732C (2x)_20A
FXB-CY-01-01	Round cell fixture with integrated HC02A21018GK
FXB-CY-01-02	Round cell fixture with integrated HC02B21020G
FXB-CY-01-03	Round cell fixture with integrated HC06A29009G
FXB-CY-01-04	Round cell fixture with integrated HC06B29010G
FXB-CY-01-05	Round cell fixture with integrated HC06D29011GT
FXB-CY-01-06	Round cell fixture with integrated HC13B06150G
FXB-CY-01-07	Round cell fixture with integrated F73214B250G300C
FXB-CY-01-08	Round cell fixture with integrated F73214B250G300C x2



You can find more information about the structure and application in our 3D video on YouTube: